



## **PREFORMED** LINE PRODUCTS

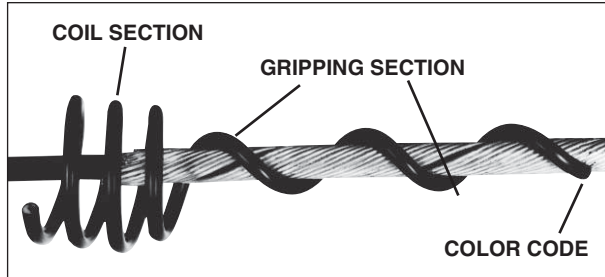
### **Section 7 – FIBERLIGN® Hardware Accessories for OPGW and/or ADSS**

<b>Table of Contents</b>	<b>Page</b>
<b>ADSS CORONA™ Coil.....</b>	<b>7-2</b>
<b>FIBERLIGN Cable Abrasion Protector &amp; Cable Marker.....</b>	<b>7-3</b>
<b>FIBERLIGN Downlead Cushion.....</b>	<b>7-4</b>
<b>FIBERLIGN Motion Control Products</b>	
<b>FIBERLIGN Spiral Vibration Damper .....</b>	<b>7-7</b>
<b>FIBERLIGN Dielectric Damper .....</b>	<b>7-7</b>
<b>FIBERLIGN Air Flow Spoiler.....</b>	<b>7-7</b>
<b>FIBERLIGN Cable Storage System</b>	
<b>In-Span Storage “NM” for ADSS.....</b>	<b>7-8</b>
<b>Vertical Cable Storage Systems .....</b>	<b>7-11</b>
<b>COYOTE® Defender for Splice Case &amp; Splice Closures.....</b>	<b>7-13</b>



# ADSS-CORONA™ Coil

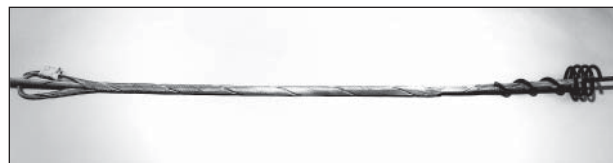
## NOMENCLATURE



## APPLICATION OPTIONS



Used with a FIBERLIGN® Dielectric Suspension



Used with a FIBERLIGN® Dielectric Dead-end



Used with a FIBERLIGN® Aluminum Suspension w/rods

## GENERAL INFORMATION

ADSS-CORONA Coils are intended to reduce electrical stress at the ends of the metal rods of FIBERLIGN® Dielectric Dead-ends and Suspensions applied on ADSS cables installed in high voltage electrical fields. They are made from a light weight material and are designed to suppress electrical arcing at the ends of metal rods which can occur on some lines and may damage the plastic jacket of ADSS cables. Consult PLP® for specifics.

### Application:

One unit is required at dead-end locations and two at suspension installations.

ADSS-CORONA Coils are designed and manufactured to be used only with FIBERLIGN Dielectric Dead-ends or Suspensions manufactured by Preformed Line Products. They should NOT be used with other dead-end or suspension devices.

### Installation:

The Corona Suppression Coil section is centered over the ends of the metal rods for maximum stress reduction. The unit is secured in place by wrapping the unique gripping section directly over the Structural Reinforcing Rods of a dead-end and suspension. They will not interfere with the performance of the dead-end or the suspension.

They may be installed at the time of the original dead-end or suspension installation or are easily added later if desired. They can be quickly installed by hand or with conventional hot sticks.

### Product Reuse:

Do not reuse ADSS-CORONA Coils once permanently installed. They may be removed and positioned during the initial installation.

### Product Selection:

Consult PLP for application recommendations, catalog numbers and product availability.

# FIBERLIGN® Cable Abrasion Protector & Cable Marker



## FIBERLIGN ADSS Cable Abrasion Protector

The FIBERLIGN ADSS Cable Abrasion Protector is intended to protect ADSS cable jacket from abrasion from structures, trees or other cables. It is made from black, low density polyethylene for low cost and superior abrasion resistance. The tube comes in two lengths and three OD sizes. Either tube may be cut in the field to accommodate specific length needs.

**Component Reuse:**

ADSS Cable Abrasion Protectors may be reused as desired if in good condition.

### ORDERING INSTRUCTIONS

Select the appropriate size from the catalog table in this section.

**FIBERLIGN ADSS Cable Abrasion Protector**

Catalog Number	Cable OD Range		Protector ID in (mm)	Protector Length
	(in)	(mm)		
PTG-0200	.238-.500	6.04-12.7	.5 (12.7)	8" (20.3 cm)
PTG-0201				6' (1.8 m)
PTG-0202	.501-1.000	12.8-25.4	1.0 (25.4)	8" (20.3 cm)
PTG-0203				6' (1.8 m)
PTG-0204	1.001-1.500	25.6-38.1	1.5 (38.1)	8" (20.3 cm)
PTG-0205				6' (1.8 m)



## FIBERLIGN Fiber Optic Cable Marker

**Intended Use:**

The Fiber Optic Cable Marker is designed to visibly identify fiber optic cable at a wood utility pole or other structure. In addition to marking the cable with a distinct orange color, the word "CAUTION" is used to emphasize the cable type. The bright orange color is easily identifiable from ground level.

**Material:**

The fiber optic cable marker is manufactured from corrosion resistant, lightweight polyethylene. Polyethylene provides superior retention of physical characteristics over temperature ranges and exposure to ultraviolet radiation.

Catalog Number	Color	Cable Diameter Range Inches (mm)	Length Inches (mm)
500510903	Orange	0.7 - 1.1 (18-28)	8 (203)

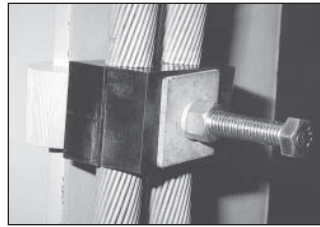
The Fiber Optic Cable Marker is imprinted with the following information: "CAUTION FIBER OPTIC CABLE". The characters are printed in black lettering that is 5/16" high and located opposite the installation split.



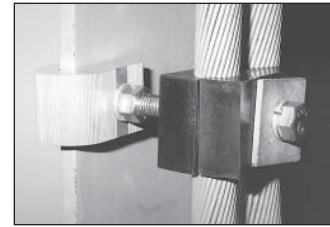
# FIBERLIGN® Downlead Cushion for OPGW or ADSS



FIBERLIGN Downlead Cushion mounted to wood pole



FIBERLIGN Downlead Cushion mounted to lattice tower – flush position



FIBERLIGN Downlead Cushion mounted to lattice tower – extended position

## FIBERLIGN Downlead Cushion

### GENERAL APPLICATION

The FIBERLIGN Downlead Cushion secures Optical Ground Wire (OPGW) downleads or ADSS cable downleads to structures while minimizing compressive clamping forces which could be transferred to the optical elements.

**Material:**

The FIBERLIGN downlead cushion is offered as an all urethane product for OPGW or ADSS applications, as well as an all aluminum alloy product for OPGW applications.

**Description/Urethane:**

The all urethane material is molded to form a base member and a top member, each containing two grooves which accommodate a specified range of OPGW or ADSS cable diameters. The base member can be applied to either curved pole surfaces or flat surfaces. The weather-resistant urethane is extremely durable yet pliable enough to firmly contain ADSS cable without damaging the plastic jacket.

**Description/Aluminum:**

The all aluminum product has identical top and bottom halves that are designed for flat surface mounting. The two grooves are machined to accommodate a specified range of OPGW. The aluminum material provides an electrical path from the OPGW cable to the structure for bonding purposes.

**Mounting:**

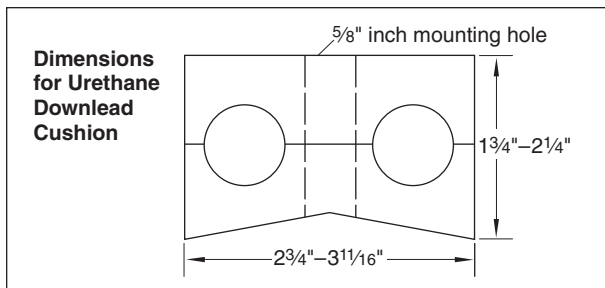
The downlead cushion is designed to accept up to 5/8" diameter bolts or screws for mounting purposes. For additional mounting options see the Mounting Accessories on the next page.

Other configurations are available. Consult PLP for availability.

Urethane Downlead Cushion for ADSS or OPGW				
Catalog Number	Diameter Range			
	Inches		Millimeters	
	Min	Max	Min	Max
8003041	.375	.468	9.5	11.8
8003042	.469	.562	11.9	14.2
8003043	.563	.656	14.3	16.6
8003044	.657	.750	16.7	19.0
8003052	.751	.849	19.1	21.5
8003256	.850	.950	21.6	24.1
8003257	.951	1.050	24.2	26.6
8003379	1.051	1.190	26.7	30.2

Aluminum Downlead Cushion for OPGW				
Catalog Number	Diameter Range			
	Inches		Millimeters	
	Min	Max	Min	Max
8003644	.328	.374	8.3	9.5
8003654	.375	.422	9.5	10.7
8003653	.423	.468	10.7	11.9
8003266	.462	.515	11.7	13.0
8003267	.516	.562	13.1	14.2
8003268	.563	.609	14.3	15.4
8003269	.610	.656	15.5	16.6
8003270	.657	.703	16.7	17.8
8003271	.704	.750	17.9	19.0
8003477	.751	.797	19.1	20.2

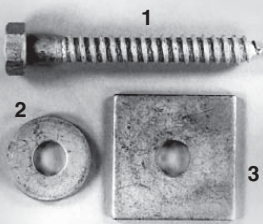
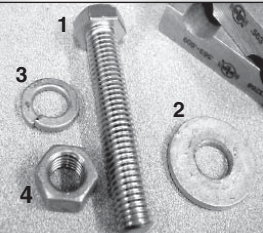
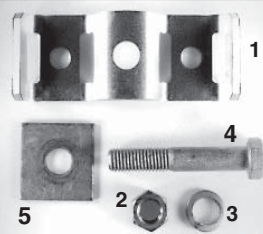

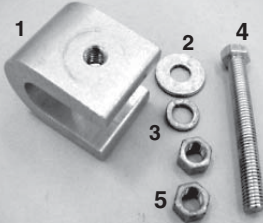
- \* To include Mounting Accessories, add respective suffix code to cushion catalog number:
- Suffix code H1 includes Hardware Kit for wood pole mount.
  - Suffix code H3 includes 1/2-13 hex head bolt mounting kit or steel pole mount.
  - Suffix code LTC1 or LTC2 includes Lattice Tower Clamp Kit for latticetower mount.
  - Suffix code B1 includes Limited Tension Banding Bracket Kit for concrete or steel structure mount.



# FIBERLIGN® Download Cushion Mounting Accessories

## MOUNTING ACCESSORIES

Mounting kits are offered for Wood Pole, Concrete Pole, Steel Pole, and Lattice Tower Structures. The following table lists the kits for the respective structures.

Download Cushion Mounting Accessories					
Catalog Number	Suffix Code	Product Name	Kit Contents	Nomenclature	Structure Application
710010017	H1	Wood Pole Hardware Kit		1. 1/2" X 4" long Lag Screw 2. Round Washer 3. Square Washer	Wood Pole
710011655	H3	1/2-13 UNC HEX Head Bolt Hardware Kit		1. 1/2-13 x 3" long Hex Head Bolt 2. Flat Washer 3. Lock Washer 4. Hex Nut	Metal or Concrete Pole with 1/2"-13 UNC Female interface
710010576	B1	Limited Tension Banding Bracket		1. Banding Bracket 2. Hex Nut 3. Lock Washer 4. 5/8-11 x 3 1/2" long Hex Head Bolt 5. Square Washer	Metal or Concrete Pole
7000400	LTC1	Lattice Tower Clamp with 6" (152 mm) long bolt		1. Clamp 2. Lock Washer (3) 3. Hex Nut (2) 4. Square Washer (2) 5. 5/8-11 Hex Head Bolt	Lattice Tower
7000401	-	Lattice Tower Clamp with 10" (254 mm) long bolt			
7000402	-	Lattice Tower Clamp with 8" (203 mm) long bolt			
700011045	LTC2	Light-Duty Lattice Tower Clamp		1. Clamp 2. Round Washer 3. Lock Washer 4. 1/2-13 x 5" long Hex Head bolt 5. Hex Nut (2)	

## ORDERING INSTRUCTIONS

Mounting Kits may be ordered independently by catalog number or included with Download Cushions by adding Suffix Code to Download Cushion Catalog Numbers found

on previous page. Ex. 8003042H1 includes a Urethane Download Cushion with Wood Pole Hardware Kit in the same carton.





# FIBERLIGN® Downlead Cushion Mounting Accessories

## MOUNTING KIT INSTALLATION NOTES

**½-13 Hex Head Bolt Hardware Kit** leaves approximately 1" (25 mm) of exposed thread for mounting engagement

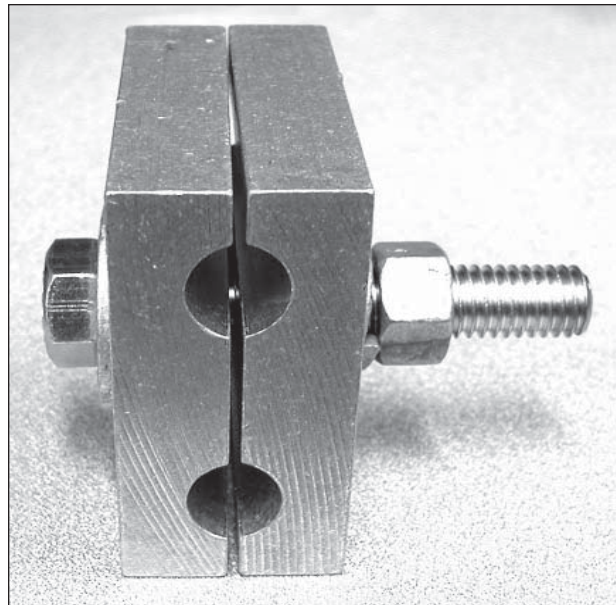
**Limited Tension Banding Brackets** are used to mount downlead cushions without drilling holes. Using a ¾" wide High Strength band (not supplied), the banding system will support a 500 pound (2.2 kN) vertical load. All components are galvanized steel.

**Lattice Tower Clamps with 6", 10", or 8" long bolts** can be Flush mount or Extended mount as shown below.

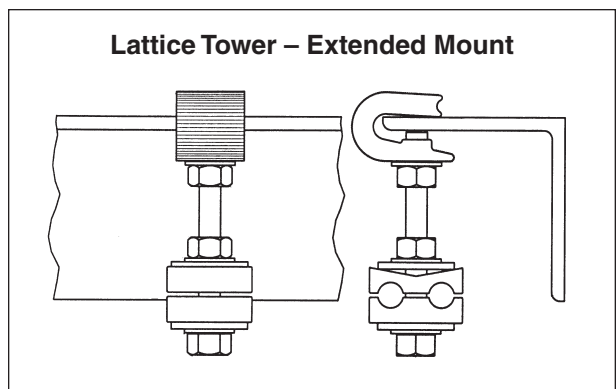
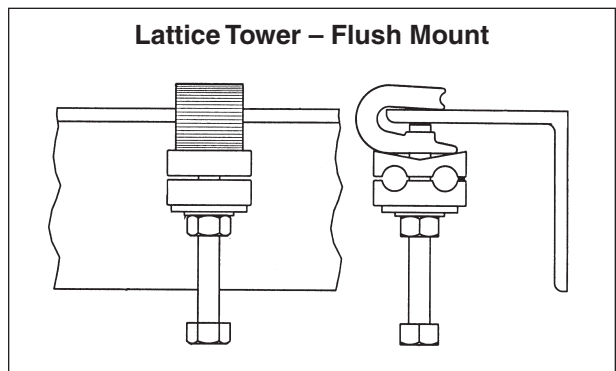
It is recommended to loosely pre-assemble the components for your application before transporting up the tower. The unit may be installed on any portion of the structure in any orientation.

The C-shaped clamp was originally designed to accept a 0.65" (16.5 mm) maximum tower thickness. The latest design will accept up to 1⅝" (28.5 mm) thick tower members. For applications that require >0.65" thick, contact technical support to assure 1⅝" clamp is packaged with the kit. The clamp is made from high strength aluminum and all other components are galvanized steel.

**LIGHT DUTY Lattice Tower Clamp** is provided with a C-Shaped clamp that will accept up to 1⅝" (28.5 mm) thick tower members. The clamp is made from high strength aluminum and all other components are galvanized steel.



**Downlead Cushion shown with mounting kit  
Catalog number 710011655, suffix code H3**



# Dampers for Aeolian Vibration Suppression

## FIBERLIGN Spiral Vibration Damper for OPGW

The FIBERLIGN Spiral Vibration Damper effectively reduces levels of aeolian vibration on Optical Ground Wire (OPGW) cables.

Each FIBERLIGN Spiral Vibration Damper has a helically formed dampening section sized for interplay of damper and cable, to provide the action/reaction motion that opposes the natural vibration wave. A smaller gripping section gently grips the cable so that cable and fiber are not damaged or distorted and there is no optical signal loss.

The degree of protection needed for a specific application depends on a number of factors such as cable type, line design, temperature, tension, and exposure to wind flow. Consult PLP® for specific recommendations.

FIBERLIGN Spiral Vibration Dampers for OPGW Cable					
Catalog Number	Diameter Range		Length inch (m)	Per Units	Carton Weight (lbs)
	inch	mm			
5050104	.327-.461	8.3-11.6	51 (1.3)	50	34
5050105	.462-.563	11.7-14.3	53 (1.3)	50	36
5050106	.564-.760	14.4-19.3	61 (1.5)	25	50

**Notes:**  
1. Consult Preformed Line Products for recommendations on the number of dampers required per span.

## VORTX™ Vibration Damper

Consult Preformed Line Products for specific recommendations.

## FIBERLIGN Dielectric Dampers for ADSS Cable

ADSS cables tend to vibrate at higher levels than other cables of comparable size, mainly due to their relatively lighter weight. Also the “soft” nature of their jackets and internal construction requires special consideration.

A special damper, called the FIBERLIGN Dielectric Damper, has been developed specifically for application on ADSS cables. It utilizes the same dampening characteristics as the FIBERLIGN Spiral Vibration Damper, plus provides more gentle gripping.

FIBERLIGN Dielectric Damper for ADSS Cable					
Catalog Number	Cable Diameter Range (inches)	Cable Diameter Range (mm)	Length inches (m)	Units (per carton)	Carton Weight (lbs.)
50502393	.250-.326	6.3-8.2	49 (1.24)	50	26
50502272	.327-.461	8.3-11.16	51 (1.30)	50	28
50502274	.462-.563	11.7-14.2	53 (1.35)	50	30
50509862	.564-.770	14.3-19.5	65 (1.65)	50	46
50503057	.771-.876	19.5-22.2	71 (1.80)	25	30
50503576	.877-1.00	22.3-25.3	72 (1.91)	25	35
50503909	1.001-1.25	25.4-30.5	75 (2.29)	25	40

**Notes:**  
1. Consult Preformed Line Products for recommendations on the number of dampers required per span.

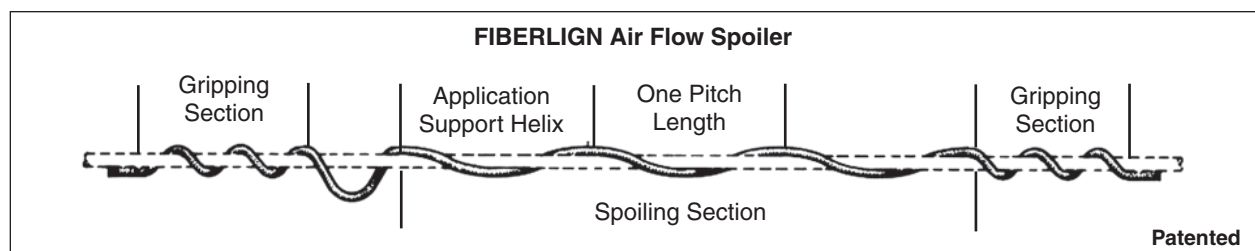
## FIBERLIGN Air Flow Spoiler

The central spoiling section of the FIBERLIGN Air Flow Spoiler suppresses galloping or dancing motion of OPGW or ADSS cables by providing a constantly changing aerodynamic profile.

Helical gripping sections on both ends of the FIBERLIGN Air Flow Spoiler secure the unit to the cable while minimizing compressive clamping forces.

The number and placement of FIBERLIGN Air Flow Spoilers in each span are determined by a computer program which considers the results of ongoing field and laboratory research.

Consult Preformed Line Products for specific recommendations.





# FIBERLIGN® In-Span Storage “NM”

## FIBERLIGN In-Span Storage with Non-Metallic (“NM”) Storage Racks for ADSS Cable

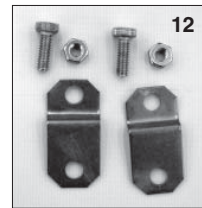
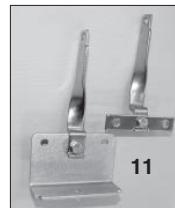
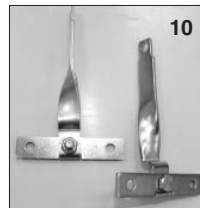
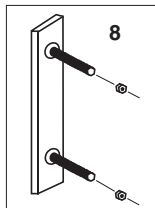
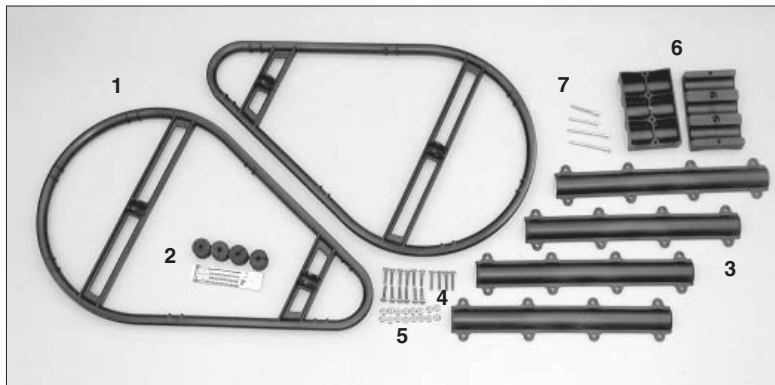
### GENERAL INFORMATION

FIBERLIGN IN-SPAN Storage Systems are complete systems for storing slack All-Dielectric Self Supporting (ADSS) cable or slack ADSS cable and a butt splice closure in the span.

This system is provided with 18" (457 mm) Non-Metallic (“NM”) storage racks. All necessary hardware is provided with the option to include cable ties. **Note:** Splice Closures and dead-ends are sold separately.

### FEATURES

- Neatly organizes storage of cable and splice closures in the span instead of on the structure
- Minimizes infringement of poles space
- Maximum cable loop support with 18" (457 mm) storage racks
- No limit to the amount of cable that can stored.
- Non-metallic cable protection bracket that minimizes cable abrasion and organizes cable against pole
- Peel-away grommet allows full range taking from .400" - 1.00" (10 mm - 25 mm) diameter cable – “NM” systems only
- Optional Cable ties can be ordered with kits or separately

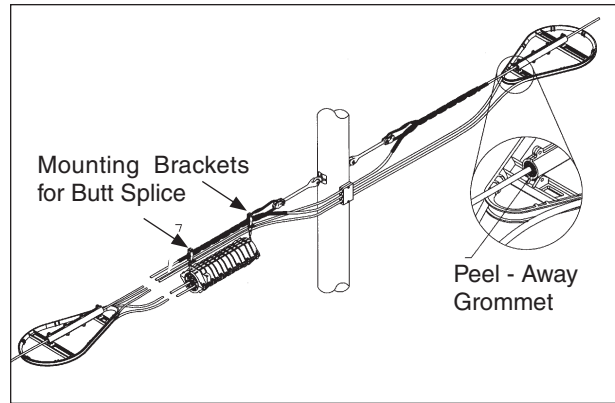
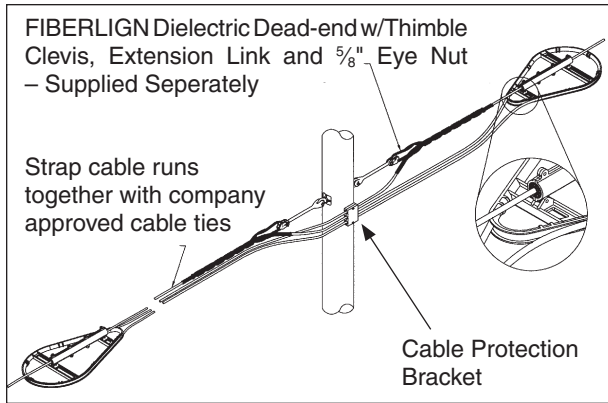


### NOMENCLATURE

- |   |   |
|---|---|
| <ol style="list-style-type: none"> <li>1. 18" OPTI-LOOP Storage Rack</li> <li>2. Peel-Away Elastomer Grommet</li> <li>3. Rack Mounting Sleeve Halves</li> <li>4. Phillips Stainless Steel Bolts</li> <li>5. Stainless Steel nuts</li> <li>6. Pole Mounted Cable Protection Bracket</li> <li>7. ¼" Lag Bolts with Flat Washers</li> <li>8. Banding Bracket adaptor for Protection Bracket mounting to concrete or steel poles</li> </ol> | <ol style="list-style-type: none"> <li>9. Universal Mounting Bracket</li> <li>10. COYOTE® Closure Brackets for COYOTE PUP, 6 x 22, and 8.5 x 22 Closures</li> <li>11. COYOTE Runt Brackets</li> <li>12. COYOTE Splice Case Brackets (or aerial hanger brackets) included with every Stainless Steel COYOTE Splice Case – Not with the In-Span Kit COYOTE Runt brackets</li> <li>13. Universal Strand Adapter Bracket to interface with any aerial strand bracket that connects Butt Splice</li> </ol> |
|---|---|



# FIBERLIGN® In-Span Storage "NM"



## INSTALLATION INFORMATION

FIBERLIGN IN-SPAN "NM" systems has a peel-away grommet that accommodates cable diameters from .40" (10 mm) through 1.00" (25 mm). Application procedures included with the product can also be found on PLP's website. Instructions are provided for cable storage only, as well as cable storage with butt splice. For wood pole installations, the Cable Protection Bracket is mounted with lag screws. For concrete or steel poles, a banding bracket can be used to mount the cable protection bracket.

Cable ties are used to strap the cable to storage racks and cable runs together. PLP offers UV resistant cable ties with the kits as an option.

## ORDERING INSTRUCTIONS

To order the FIBERLIGN IN-SPAN STORAGE "NM" simply select the desired kit from the catalog table in this section. You can order kits for cable storage only, or kits for butt splice applications. The butt splice kits include the appropriate mounting brackets for the respective COYOTE Closure or Splice Case product. The Universal Strand Adaptor Bracket provides a 0.3" (7.6 mm) diameter mounting interface for aerial hanger brackets designed to connect butt splices to messenger strand.

To order Mounting Brackets separately see table later in this section.

FIBERLIGN In-Span "NM" for Cable Storage and COYOTE Closure or Splice Case Mounting. (Splice Closure and Dead-end sold separately)

FIBERLIGN In-Span Storage "NM"	
Catalog Number	Description
710011124	In-Span Storage "NM" Cable Storage only
710011188C	In-Span Storage "NM" with COYOTE Closure (PUP 6x22 & 8x22 in) Mounting Brackets
710011188R	In-Span Storage "NM" with COYOTE RUNT Mounting Brackets
710011188S	In-Span Storage "NM" with COYOTE Splice Case Mounting Brackets
710011189	UV resistant Cable Ties - Package of 50 ties
710011008	Banding Bracket Adaptor – Protection Block Mounting on Steel or Concrete Poles
710011124T	In-Span "NM" and 50 Cable Ties
710011188CT	In-Span Storage "NM" with COYOTE Closure (PUP 6x22 & 8x22 in) Mounting Brackets & 50 Cable Ties
710011188RT	In-span Storage "NM" with COYOTE RUNT Mounting Brackets & 50 Cable Ties
710011188ST	In-span Storage "NM" with COYOTE Splice Case Mounting Brackets & 50 Cable Ties
710011400	In-span Storage "NM" with universal strand adaptor bracket adapts any butt splice aerial hanger bracket designed for messenger



# FIBERLIGN® In-Span Storage “NM”

## Mounting Kits

Separate Mounting Kits are also available for mounting COYOTE Closures or COYOTE Splice Cases directly to a FIBERLIGN Dielectric Dead-end or ADSS Armor Rods.

Catalog Number	Description
8003459	Mounting Kit for COYOTE Closures (including COYOTE® PUP Closure), includes two End Plate brackets and one Universal Mounting Kit
8003474	Mounting Kit for COYOTE RUNT Closure
8003460	Mounting Kit for COYOTE Splice Cases (all sizes), includes one Universal Mounting Kit
80807541	Universal Strand Adaptor Bracket to interface with any aerial strand bracket that connects Butt Splice

## ADSS Armor Rods

Separate ADSS Armor Rods are available for ADSS cable protection at locations where Mounting Brackets are installed away from Dead-ends. All sets have an overall length of 27" (0.68 meters).

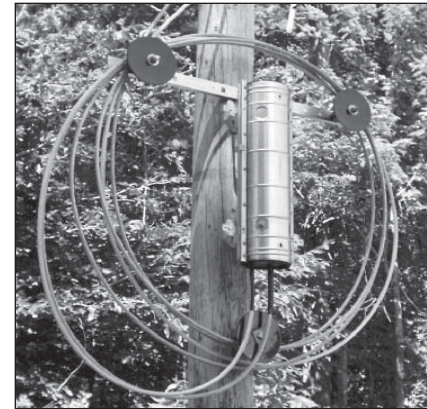
Catalog Number	Cable O.D. Range		Rod Dia. (mm)	Rods per set	Subsets	Color Code
	in	mm				
AR-0172	.400-.450	10.1-11.4	.102" (2.6)	15	5-5-5	Red
AR-0173	.451-.509	11.5-12.9	.102" (2.6)	15	5-5-5	Black
AR-0174	.510-.575	13.0-14.6	.102" (2.6)	16	4-4-4-4	Blue
AR-0175	.576-.649	14.7-16.4	.102" (2.6)	18	5-5-4-4	Orange
AR-0176	.650-.730	16.5-18.5	.121" (3)	17	5-4-4-4	Green
AR-0177	.731-.820	18.6-20.8	.121" (3)	19	5-5-5-4	Brown
AR-0178	.821-.920	20.9-23.3	.136" (3.5)	19	5-5-5-4	Yellow
AR-0179	.921-1.007	23.4-25.6	.136" (3.5)	20	5-5-5-5	Purple

# FIBERLIGN® Cable Storage Systems

## FIBERLIGN Vertical Cable Storage Assemblies for ADSS or OPGW Fiber Optic Cable

### GENERAL INFORMATION

FIBERLIGN Vertical Cable Storage Assemblies provide a method for storing ADSS or OPGW cable on wood poles, metal poles, concrete poles, and lattice towers. Four basic kits can be combined into various configurations to suit your specific application. Cable ties (not supplied) can be used to neatly group cable and secure cable to spools if desired. The fundamental component of each basic kit is a durable urethane storage spool that provides a smooth curved surface for proper support of the stored cable. The four basic kit catalog numbers are found in the following table.



FIBERLIGN Cable Storage Assemblies: Basic Kit Information						
Catalog Number	Kit Description	Storage Spool (mm)	Feature Component Information (mm)	Fasteners (5/8"-11 UNC Thread) (mm)	Optional Mounting Applications	Image of Kit
8003493	Vertical Cable Storage Assembly	Qty 2 7.5" (191) Flange OD, 2.2" (56) Stem OD, 4.1" (104) Stem Length	Cross Arm Galvanized Steel 2" x 1" (51 x 25.4) C-channel x 44" (1118) long, Max Spool to Spool Position 35" (889)	2 each: 6" (152) long bolt Flat Washer, Lock Washer, Hex Nut, 5/16" (8) Self tap Screw*	Thru Bolt, DA bolt, or Banded	
8003503	Cable Storage Spool	Qty 1 7.5" (191) Flange OD, 2.2" (56) Barrel OD, 4.1" (104) Stem Length	Polyurethane Spool	None	Thru Bolt or DA Bolt	
8003503B1	Cable Storage Spool w/Banding Bracket	Qty 1 7.5" (191) Flange OD, 2.2" (56) Barrel OD, 4.1" (104) Stem Length	Banding Bracket, Galvanized Steel 6" long x 2.3" wide, (152 x 58) Accepts Max 1 1/4" (32) metal band	1 each: 6" (152) long Bolt, Flat Washer, Lock Washer, Hex Nut	Banding	
8003503LTC1	Cable Storage Spool & Lattice Tower Clamp	Qty 1 7.5" (191) Flange OD, 2.2" (56) Barrel OD, 4.1" (104) Stem Length	C-Clamp Aluminum alloy, Mounts on Max 5/8" (16) thick tower leg	1 each: 8" (203) long Bolt, Flat Washer, Lock Washer, Hex Nut	Clamp for Lattice Tower	

**Note:** Thru Bolts, Double Arming Bolts (DA Bolts), and bands are not supplied with the kits.

**Features:**

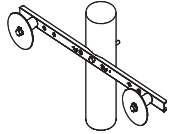
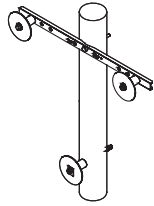
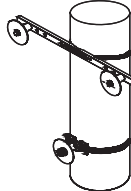
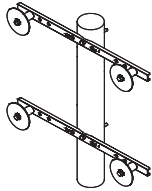
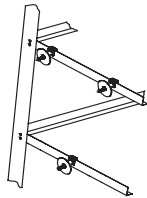
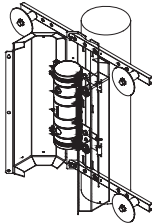
- Flexible Configurations
- Optional Mounting conforms to most structures
- Accommodates cable manufacturer suggested storage diameters
- Black Urethane Storage Spool provides soft curved support for cable
- Steel Components are galvanized or zinc plated.
- COYOTE Defender Application - Simple Self Tapping Screw stops.



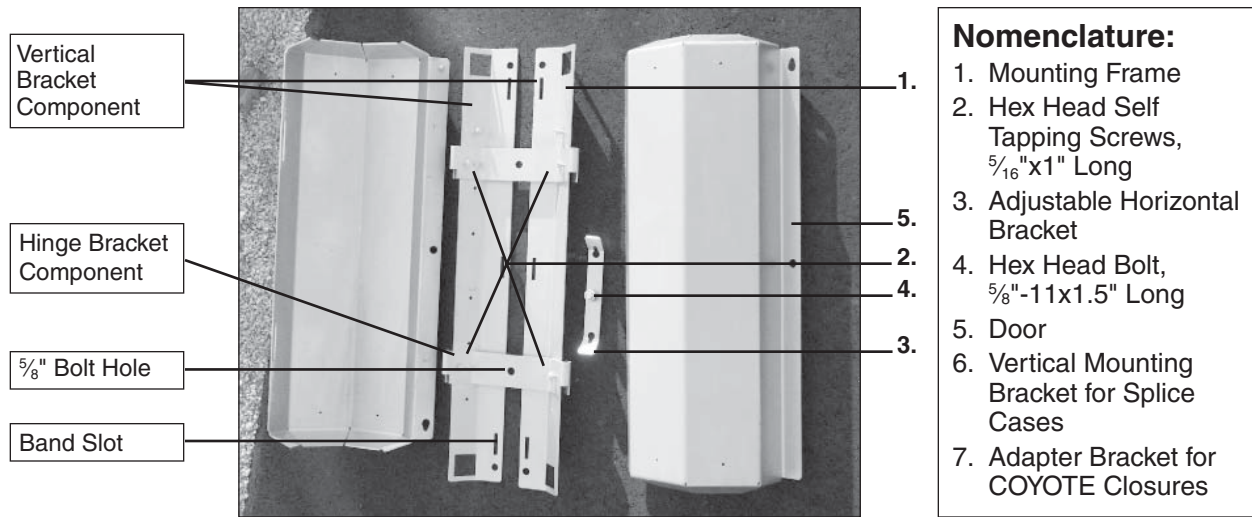
# FIBERLIGN® Cable Storage Systems

## ORDERING INSTRUCTIONS

The basic kits can be combined into various configurations. Here are some suggested arrangements:

Fiberlign Vertical Cable Storage Kit Combinations for Suggested Configurations			
Configuration Description	Catalog Combination & Quantity		Configuration
	Order Quantity	Catalog Numbers	
Single Arm	1	8003493	
Triple Spool/Single Arm	1	8003493	
	1	8003503	
Banded Triple Spool/Single Arm	1	8003493	
	1	8003503B1	
Double Arm Application	1	8003569	
Lattice Tower Clamped Triple Spool	3	8003503LTC1	
COYOTE Defender Double Arm	1	8003569	

# COYOTE® Defender



- Nomenclature:**
1. Mounting Frame
  2. Hex Head Self Tapping Screws, 5/16" x 1" Long
  3. Adjustable Horizontal Bracket
  4. Hex Head Bolt, 5/8" - 11 x 1.5" Long
  5. Door
  6. Vertical Mounting Bracket for Splice Cases
  7. Adapter Bracket for COYOTE Closures

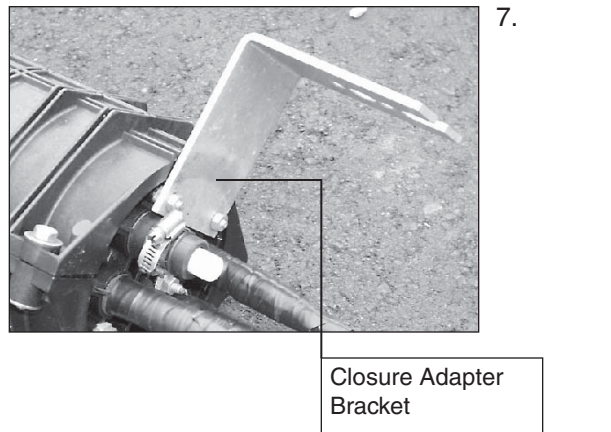
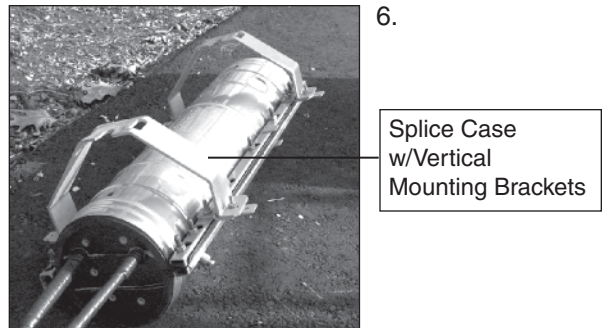
## GENERAL INFORMATION

The COYOTE Defender provides added protection for a) COYOTE Splice Case sizes 6.5", 8", and 9.5" up to 28" long and b) COYOTE Closure sizes 6.0" and 8.5" – all lengths. The Mounting Frame comes assembled from the factory – Hinge Brackets and Vertical Bracket components are fastened with 5/16" x 1" long self tapping screws. The Hinge Brackets are positioned 19" apart to mount the 28" long COYOTE Splice Cases. All other Splice Cases and Closures are accommodated with the Adjustable Horizontal Bracket. Two large doors and the mounting frame surround the closure or splice case and allow easy access for future maintenance or expansion. The frame can be installed first, followed by each door (door weight 38# each) thus reducing the chore of lifting a bulky steel unit – this makes the Lineman's task manageable and less hazardous.

**MOUNTING OPTIONS:** The COYOTE Defender can be mounted with thru bolts, DA bolts, or banding. The frame will accept standard 5/8" thru bolts and DA bolts. Use the mounting frame as a template to locate positions for drill through on wood pole structures. Double Arming bolts must not extend 1.5" beyond the Hinge Bracket surface to avoid splice case interference. Banding slots are provided in 6 positions along the frame. The band slots will accept up to 1.5" wide banding. For banding applications, 5/8" x 1.5" bolts are used to provide attachment to the mounting frame.

## ORDERING INSTRUCTIONS

Two catalog numbers are available, one for COYOTE Splice Case applications, and the other for the COYOTE Closure applications. The Defender kit for the COYOTE SPLICE CASE (#8003491) includes a Vertical mounting bracket kit to hang the case onto the mounting frame of the Defender. Likewise, the Defender kit for the COYOTE Closure (#8003492) includes an adapter bracket kit to hang the closure onto the mounting frame of the Defender.

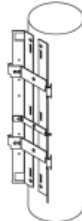

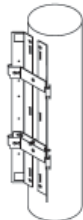







# COYOTE® Defender

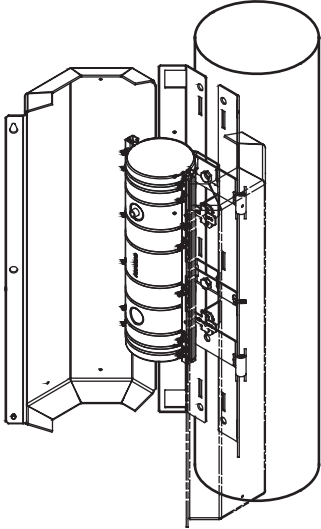
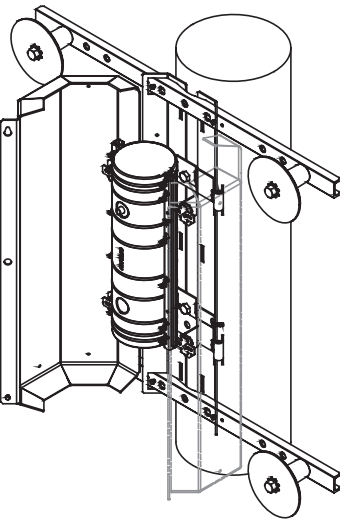
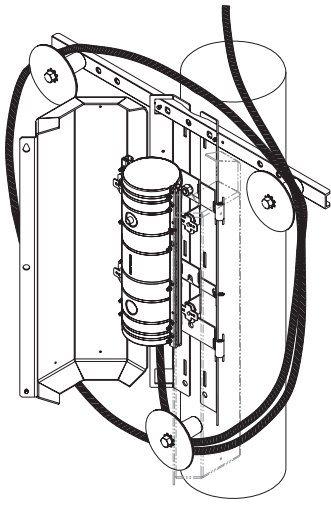
The Adjustable Horizontal Bracket is not required for the 28" long Splice Cases. However this bracket can be positioned on the mounting frame to adapt the other sizes - these positions are listed in the FRAME CONFIGURATION column of the following table.

COYOTE Defender Catalog Numbers and Frame Configuration			
Application		Defender Catalog No.	Frame Configuration
Type	Size (mm)		
COYOTE Splice Case	6.5" X 22" (165 X 559)	8003491	
	6.5" X 28", 8" X 28", 9.5" X 28" (165 X 711, 203 X 711, 241 X 711)	8003491	
COYOTE Closure	6" X 17" COYOTE PUP (152 X 432)	8003492	
	6" X 22", 8.5" X 22" (152 X 559, 216 X 559)"	8003492	
<p><b>Accessories:</b>            Vertical Cable Storage Assemblies:            1) Double Arm Configuration: order 1 ea. Cat. No. 8003569            2) Triple Spool/Single Arm: order 1 ea. Cat. No. 8003493 and 1 ea. Cat. No. 8003503            3) Banded Triple Spool/Single Arm: order 1 ea. Cat. No. 8003493 and 1 ea. Cat. No. 8003503b1  <b>Note:</b> The COYOTE Defender frame accepts the standard cross arm of vertical cable storage assemblies, 5/16" x 1" self tapping screws lock arms into place.</p>			

# COYOTE® Defender

## ACCESSORIES

Vertical Cable Storage Assemblies found earlier in this section can be used with the COYOTE Defender. Large rectangular slots at the top and bottom of the mounting frame accept the Cable Storage Cross Arm.

COYOTE Defender with and Without Vertical Cable Storage Accessories		
		
<p><b>Basic Kit</b></p>	<p><b>Kit With Double Arm Storage Assembly</b></p>	<p><b>Kit with One Cable Storage Assembly and One Spool</b></p>
<p><b>Splice Case not included</b></p>		

