

# Drop Node Cable



## High-Performance Node Coupler Designs

### Product Description

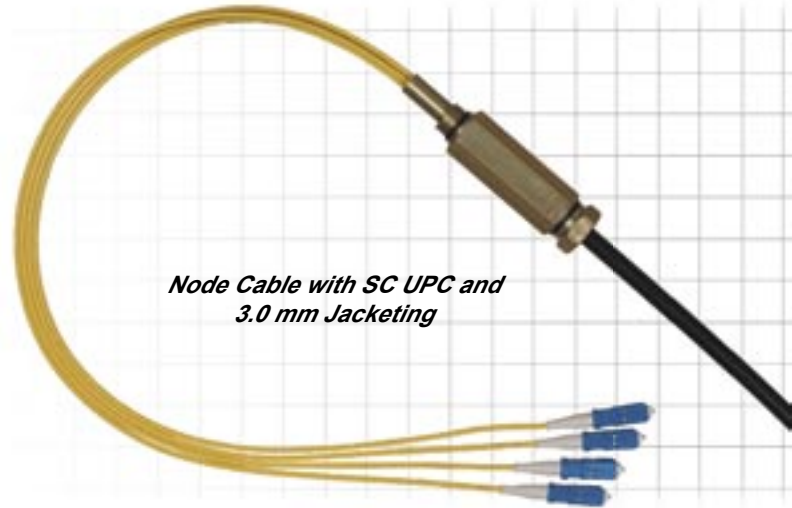
The OFS Node Coupler Cable Designs are noted for their superior transition support and ease of installation. These unique designs can accommodate a wide variety of loose tube or central tube cable designs up to 12 fibers. The newest coupler design accommodates either standard 900 micron jacketed fiber or allows for upjacketing to 3.0 mm cordage. All assemblies are factory assembled and tested to the OFS standard of performance. Let OFS create your custom configuration.

### Value

Designed for rugged outdoor use, the Drop Node Cable incorporates a standard 5/8 inch, 24-threaded fitting made from a chromate material that encases an epoxy-filled plug. This plug and housing deliver effective strain relief to eliminate cable pistoning, while providing superior mechanical protection for the optical fibers and a watertight connection to the optical node. Choose from our high-performance OPTION1™ or Loose Tube Light Armor or Dielectric Dry-Block® cables, in a variety of configurations.

### Attributes

Node Coupler	
Water blocked node coupler design	
TrueWave® RS Single-mode	
Up to 600 lb strain relief structure	
Cable Crimp separate from the Node Coupler	
Node coupler spins freely from cable crimp to ensure ease of cable installation	
Standard 5/8" 24 UNEF Thread for Node attachment	
GR-20 Compliant	
Impact Test (EIA/TIA-455-25B)	
Compressive Strength (EIA/TIA-455-41A)	
Flex Test (EIA/TIA-455-104A)	
Operating Temperature Ranges:	
Installation:	-30 to 60 °C (-22 to 140 °F)
Operation:	-40 to 70 °C (-40 to 158 °F)
Storage/Shipping:	-40 to 75 °C (-40 to 167 °F)



Node Cable with SC UPC and 3.0 mm Jacketing

### Key Product Features:

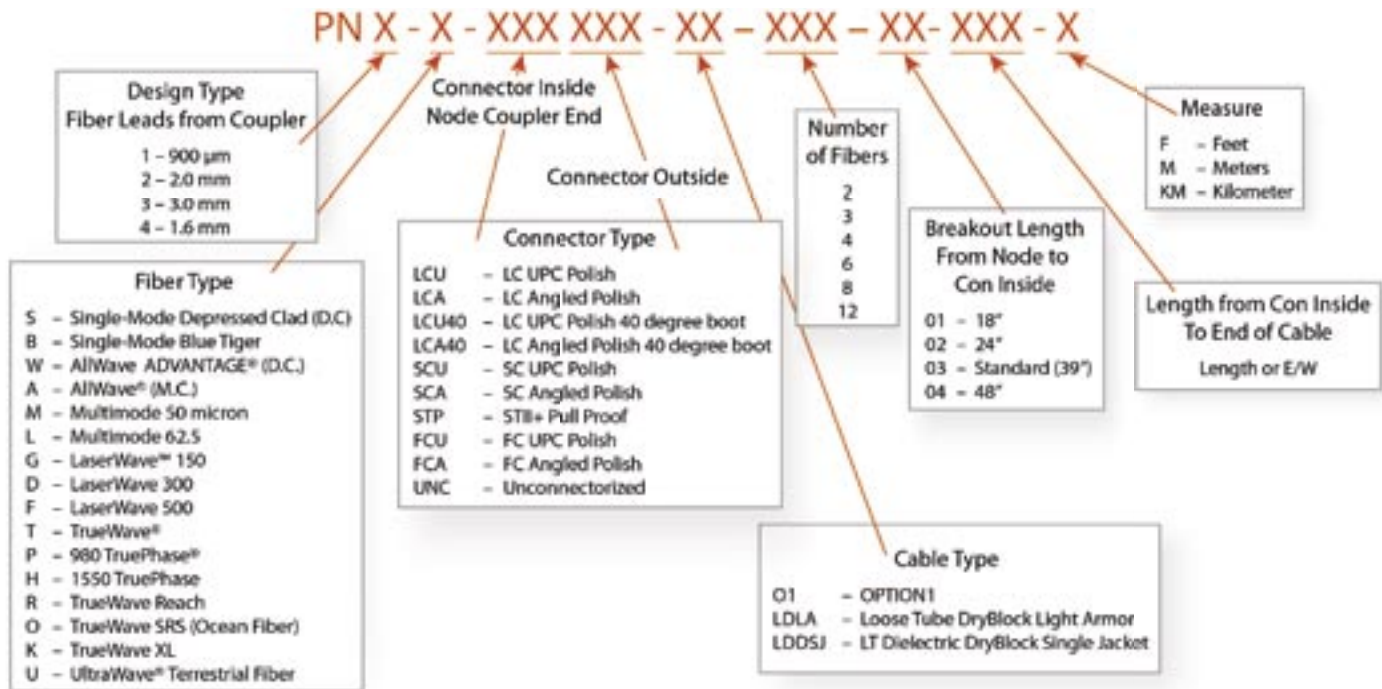
- Rapid Field Installation
- Connectorize with LC, SC, FC or ST® connector types
- Polish with UPC or APC end face
- Outdoor Fiber Management
- Standard leads of 39 inches
- 900 micron or upjacket to 1.6 or 3.0 mm jacketing

### Rely on OFS

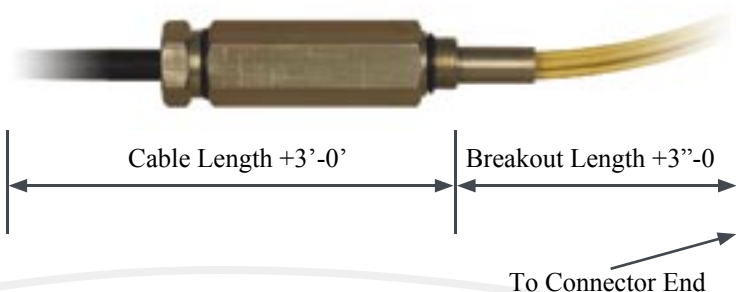
No one has more experience in making complex fiber networks simple, cost effective, and easy to manage. Our versatile fiber management products will help simplify your work, saving both time and money.

## Ordering Information

Node Coupler	Order Code	Descriptor
Dielectric	300 417 334	PN1-W-SCAUNC-LDDSJ-004-03-015M
Dielectric	300 417 094	PN1-W-SCAUNC-LDDSJ-006-03-E/W
Light Armor	300 417 862	PN1-W-SCAUNC-LDLA-004-03-E/W
Light Armor	300 417 714	PN1-W-SCUUNC-LDLA-004-03-E/W
Light Armor	300 417 847	PN1-W-SCAUNC-LDLA-004-03-50F
Light Armor	300 417 722	PN1-W-SCAUNC-LDLA-006-03-E/W
Light Armor	300 421 450	PN1-W-SCAUNC-LDLA-006-03-0150F



## Base Components



For additional information please contact your sales representative. You can also visit our website at <http://www.ofsoptics.com> or call 1-888-fiberhelp.

LaserWave and OPTION1 are trademarks of Furukawa Electric North America, Inc. AllWave, AllWave ADVANTAGE, DryBlock, ST, TruePhase, TrueWave and UltraWave are registered trademarks of Furukawa Electric North America, Inc.

OFS reserves the right to make changes to the prices and product(s) described in this document in the interest of improving internal design, operational function, and/or reliability. OFS does not assume any liability that may occur due to the use or application of the product(s) and/or circuit layout(s) described herein.

This document is for informational purposes only and is not intended to modify or supplement any OFS warranties or specifications relating to any of its products or services.

Copyright © 2004 Furukawa Electric North America  
All rights reserved, printed in USA.

OFS  
Marketing Communications  
fap-215-0704

